



MÉLANGEUSES À VIS VERTICALES

L'héritage d'un savoir faire

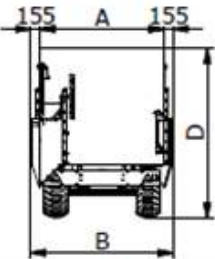
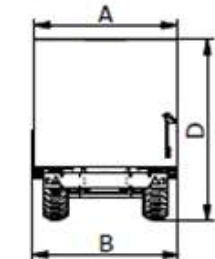
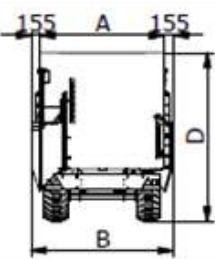
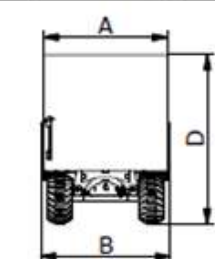
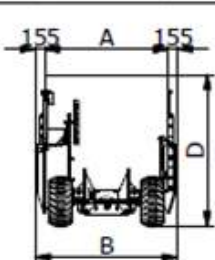
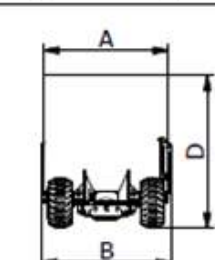
Nouveauté



www.atelier-robert.be

MASTERMIX

Le mélange

MONO VIS_SORTIES LATERALES		<table border="1" data-bbox="933 145 1340 257"> <thead> <tr> <th>MODELE</th> <th>A</th> <th>B</th> <th>C</th> <th>D</th> <th>E</th> </tr> </thead> <tbody> <tr> <td>1-07</td> <td>2106</td> <td>2416</td> <td>515</td> <td>2580</td> <td>4001</td> </tr> <tr> <td>1-09</td> <td>2106</td> <td>2416</td> <td>515</td> <td>2880</td> <td>4179</td> </tr> <tr> <td>1-13</td> <td>2410</td> <td>2720</td> <td>515</td> <td>3080</td> <td>4604</td> </tr> </tbody> </table>	MODELE	A	B	C	D	E	1-07	2106	2416	515	2580	4001	1-09	2106	2416	515	2880	4179	1-13	2410	2720	515	3080	4604																		
MODELE	A	B	C	D	E																																							
1-07	2106	2416	515	2580	4001																																							
1-09	2106	2416	515	2880	4179																																							
1-13	2410	2720	515	3080	4604																																							
MONO VIS_SORTIE TAPIS		<table border="1" data-bbox="933 414 1340 526"> <thead> <tr> <th>MODELE</th> <th>A</th> <th>B</th> <th>C</th> <th>D</th> <th>E</th> </tr> </thead> <tbody> <tr> <td>1-07</td> <td>2106</td> <td>2200</td> <td>740</td> <td>2590</td> <td>4696</td> </tr> <tr> <td>1-09</td> <td>2106</td> <td>2200</td> <td>740</td> <td>2890</td> <td>4874</td> </tr> <tr> <td>1-13</td> <td>2410</td> <td>2470</td> <td>740</td> <td>3090</td> <td>5299</td> </tr> </tbody> </table>	MODELE	A	B	C	D	E	1-07	2106	2200	740	2590	4696	1-09	2106	2200	740	2890	4874	1-13	2410	2470	740	3090	5299																		
MODELE	A	B	C	D	E																																							
1-07	2106	2200	740	2590	4696																																							
1-09	2106	2200	740	2890	4874																																							
1-13	2410	2470	740	3090	5299																																							
DOUBLE VIS_SORTIES LATERALES		<table border="1" data-bbox="933 638 1340 840"> <thead> <tr> <th>MODELE</th> <th>A</th> <th>B</th> <th>C</th> <th>D</th> <th>E</th> </tr> </thead> <tbody> <tr> <td>2-15</td> <td>2106</td> <td>2416</td> <td>525</td> <td>2590</td> <td>6096</td> </tr> <tr> <td>2-17</td> <td>2106</td> <td>2416</td> <td>525</td> <td>2890</td> <td>6275</td> </tr> <tr> <td>2-19</td> <td>2106</td> <td>2416</td> <td>562</td> <td>2677</td> <td>6730</td> </tr> <tr> <td>2-21</td> <td>2410</td> <td>2720</td> <td>562</td> <td>2777</td> <td>6790</td> </tr> <tr> <td>2-23</td> <td>2410</td> <td>2720</td> <td>562</td> <td>2977</td> <td>6909</td> </tr> <tr> <td>2-25</td> <td>2410</td> <td>2720</td> <td>562</td> <td>3127</td> <td>6998</td> </tr> </tbody> </table>	MODELE	A	B	C	D	E	2-15	2106	2416	525	2590	6096	2-17	2106	2416	525	2890	6275	2-19	2106	2416	562	2677	6730	2-21	2410	2720	562	2777	6790	2-23	2410	2720	562	2977	6909	2-25	2410	2720	562	3127	6998
MODELE	A	B	C	D	E																																							
2-15	2106	2416	525	2590	6096																																							
2-17	2106	2416	525	2890	6275																																							
2-19	2106	2416	562	2677	6730																																							
2-21	2410	2720	562	2777	6790																																							
2-23	2410	2720	562	2977	6909																																							
2-25	2410	2720	562	3127	6998																																							
DOUBLE VIS_SORTIE TAPIS		<table border="1" data-bbox="933 907 1340 1108"> <thead> <tr> <th>MODELE</th> <th>A</th> <th>B</th> <th>C</th> <th>D</th> <th>E</th> </tr> </thead> <tbody> <tr> <td>2-15</td> <td>2106</td> <td>2200</td> <td>745</td> <td>2590</td> <td>6856</td> </tr> <tr> <td>2-17</td> <td>2106</td> <td>2200</td> <td>745</td> <td>2890</td> <td>7035</td> </tr> <tr> <td>2-19</td> <td>2106</td> <td>2200</td> <td>782</td> <td>2677</td> <td>7490</td> </tr> <tr> <td>2-21</td> <td>2410</td> <td>2504</td> <td>782</td> <td>2777</td> <td>7550</td> </tr> <tr> <td>2-23</td> <td>2410</td> <td>2504</td> <td>782</td> <td>2977</td> <td>7669</td> </tr> <tr> <td>2-25</td> <td>2410</td> <td>2504</td> <td>782</td> <td>3127</td> <td>7758</td> </tr> </tbody> </table>	MODELE	A	B	C	D	E	2-15	2106	2200	745	2590	6856	2-17	2106	2200	745	2890	7035	2-19	2106	2200	782	2677	7490	2-21	2410	2504	782	2777	7550	2-23	2410	2504	782	2977	7669	2-25	2410	2504	782	3127	7758
MODELE	A	B	C	D	E																																							
2-15	2106	2200	745	2590	6856																																							
2-17	2106	2200	745	2890	7035																																							
2-19	2106	2200	782	2677	7490																																							
2-21	2410	2504	782	2777	7550																																							
2-23	2410	2504	782	2977	7669																																							
2-25	2410	2504	782	3127	7758																																							
SURBAISSE_SORTIES LATERALES		<table border="1" data-bbox="933 1220 1340 1332"> <thead> <tr> <th>MODELE</th> <th>A</th> <th>B</th> <th>C</th> <th>D</th> <th>E</th> </tr> </thead> <tbody> <tr> <td>SB 1-07</td> <td>2106</td> <td>2416</td> <td>243</td> <td>2305</td> <td>4089</td> </tr> <tr> <td>SB 1-09</td> <td>2106</td> <td>2416</td> <td>243</td> <td>2605</td> <td>4267</td> </tr> <tr> <td>SB 1-13</td> <td>2410</td> <td>2720</td> <td>243</td> <td>2805</td> <td>4692</td> </tr> </tbody> </table>	MODELE	A	B	C	D	E	SB 1-07	2106	2416	243	2305	4089	SB 1-09	2106	2416	243	2605	4267	SB 1-13	2410	2720	243	2805	4692																		
MODELE	A	B	C	D	E																																							
SB 1-07	2106	2416	243	2305	4089																																							
SB 1-09	2106	2416	243	2605	4267																																							
SB 1-13	2410	2720	243	2805	4692																																							
SURBAISSE_SORTIE TAPIS		<table border="1" data-bbox="933 1489 1340 1601"> <thead> <tr> <th>MODELE</th> <th>A</th> <th>B</th> <th>C</th> <th>D</th> <th>E</th> </tr> </thead> <tbody> <tr> <td>SB 1-07</td> <td>2106</td> <td>2200</td> <td>463</td> <td>2305</td> <td>4849</td> </tr> <tr> <td>SB 1-09</td> <td>2106</td> <td>2200</td> <td>463</td> <td>2605</td> <td>5027</td> </tr> <tr> <td>SB 1-13</td> <td>2410</td> <td>2470</td> <td>463</td> <td>2805</td> <td>5452</td> </tr> </tbody> </table>	MODELE	A	B	C	D	E	SB 1-07	2106	2200	463	2305	4849	SB 1-09	2106	2200	463	2605	5027	SB 1-13	2410	2470	463	2805	5452																		
MODELE	A	B	C	D	E																																							
SB 1-07	2106	2200	463	2305	4849																																							
SB 1-09	2106	2200	463	2605	5027																																							
SB 1-13	2410	2470	463	2805	5452																																							

CONSTRUCTEUR
Atelier Robert sa
rue Reppe 20e
B-5300 Seilles
Tél.: +32(0) 85 84 96 70
Fax: +32(0) 85 84 96 71
info@atelier-robert.be



www.atelier-robert.be